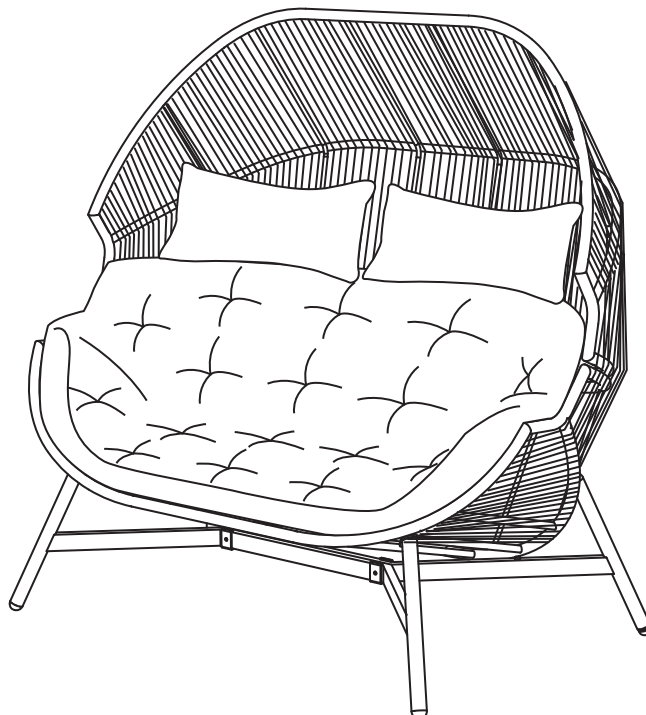
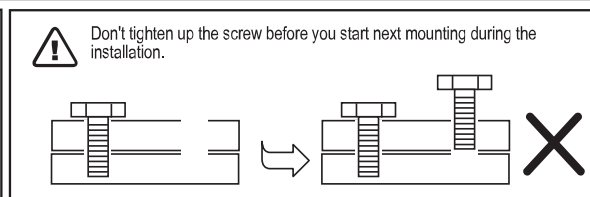
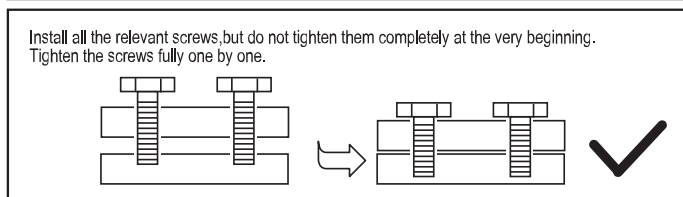
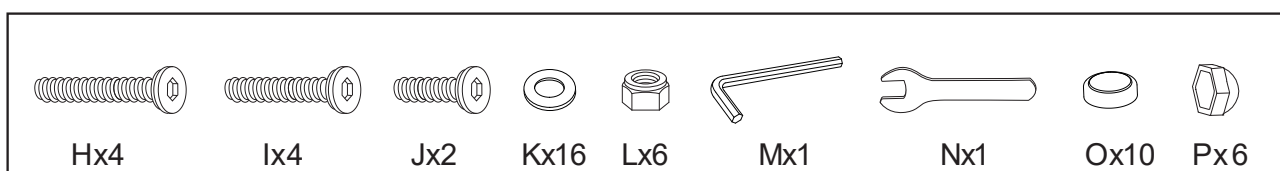
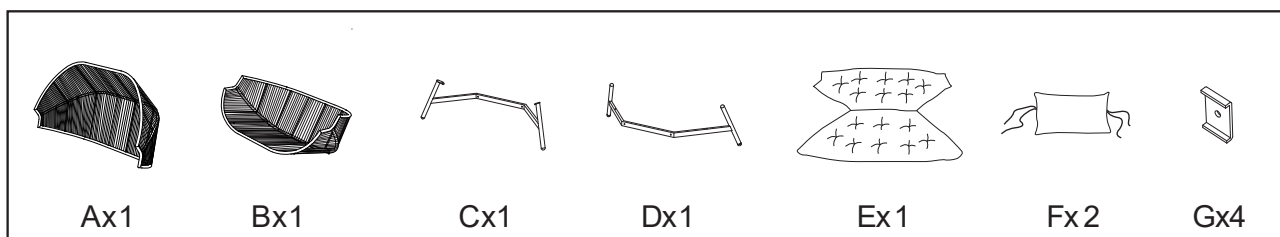


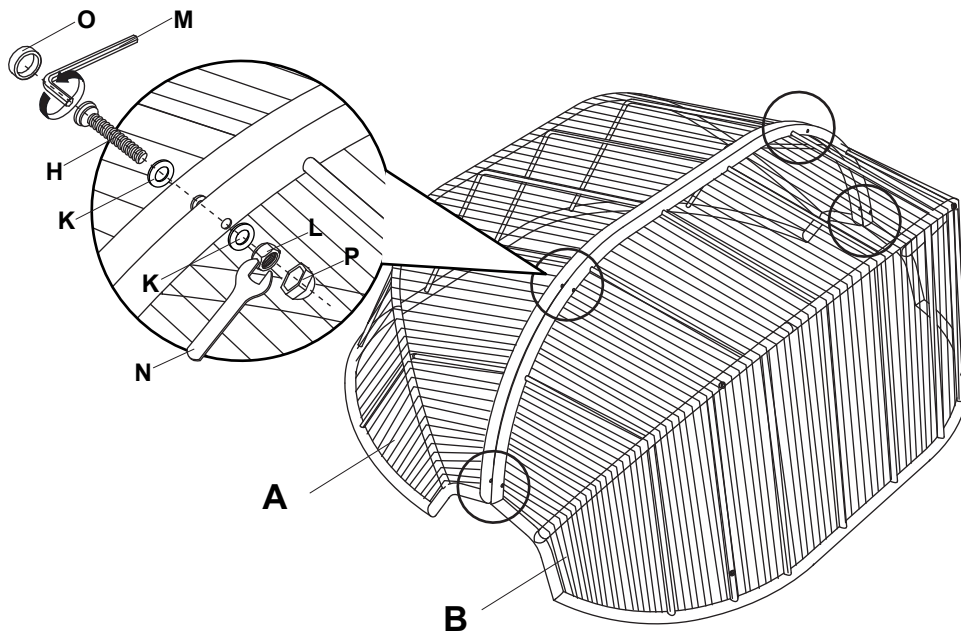
### HELSINKI DOUBLE EGG CHAIR



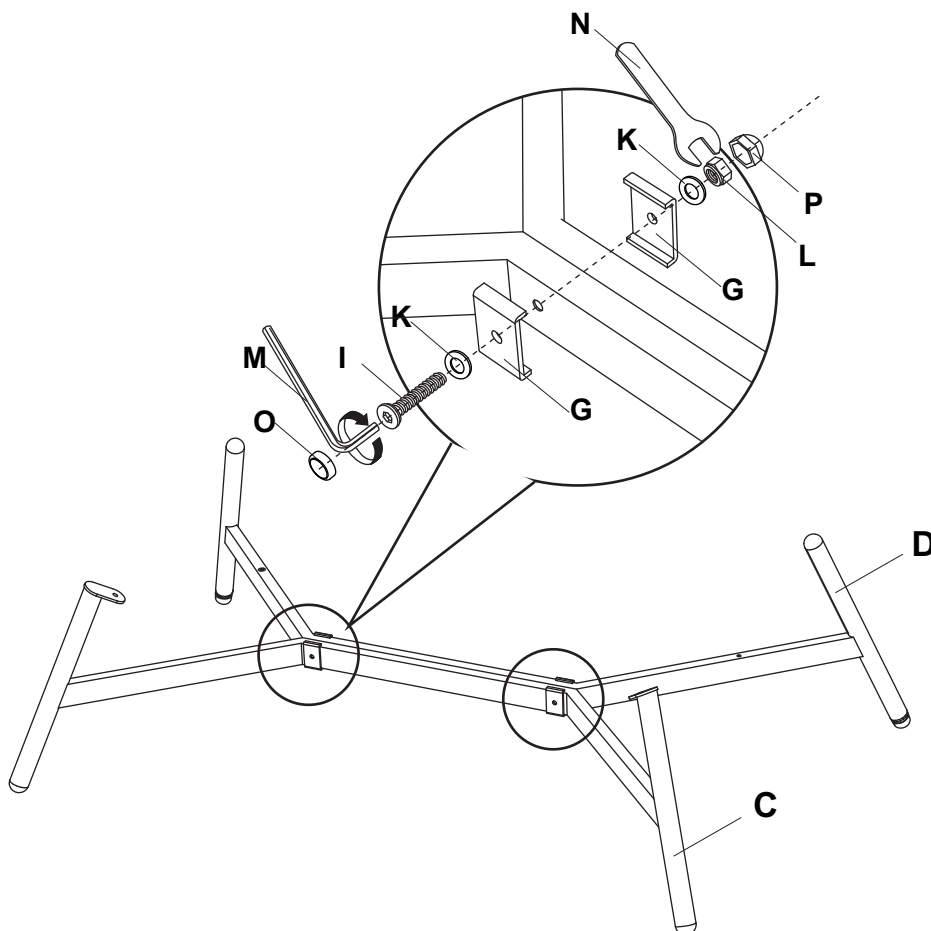
1. PLEASE SEPARATE AND IDENTIFY ALL PARTS, MAKING SURE THAT YOU HAVE ALL OF THE PARTS LISTED.
2. TO AVOID ANY SCRATCHES DURING ASSEMBLY, PLEASE ASSEMBLE ON A SOFT MAT OR SIMILAR.
3. PLEASE ASSEMBLE STEP BY STEP AND FOLLOW THE INSTRUCTIONS.
4. WASHERS MUST BE USED.
5. WHILE EACH SCREW AND NUT IS PROPERLY FASTENED, DO NOT OVER FASTEN IT.
6. DO NOT COMPLETELY FASTEN EACH SCREW AND NUT UNTIL ALL THE SCREWS ARE PROPERLY FIXED.



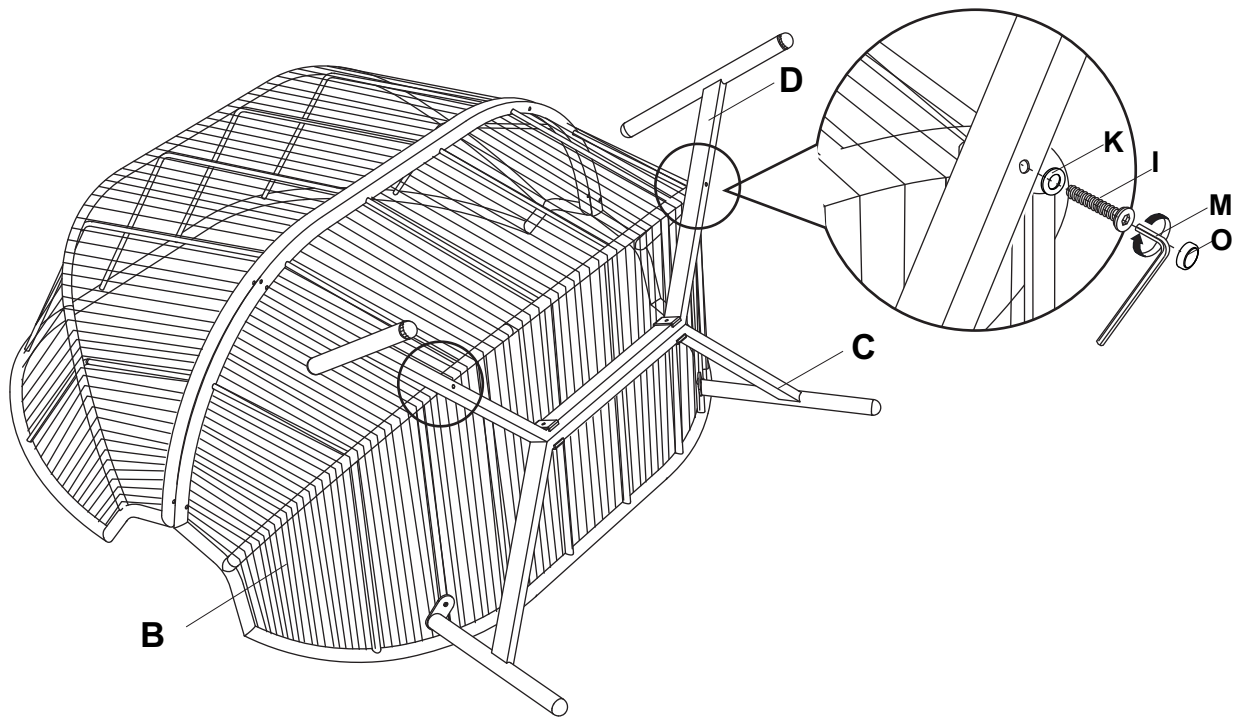
- 1 Use Allen key (M) and spanner (N) to fix seat top (A) to seat base (B) with bolt and nut (H&L) and washers (K). Cover with caps (O&P).



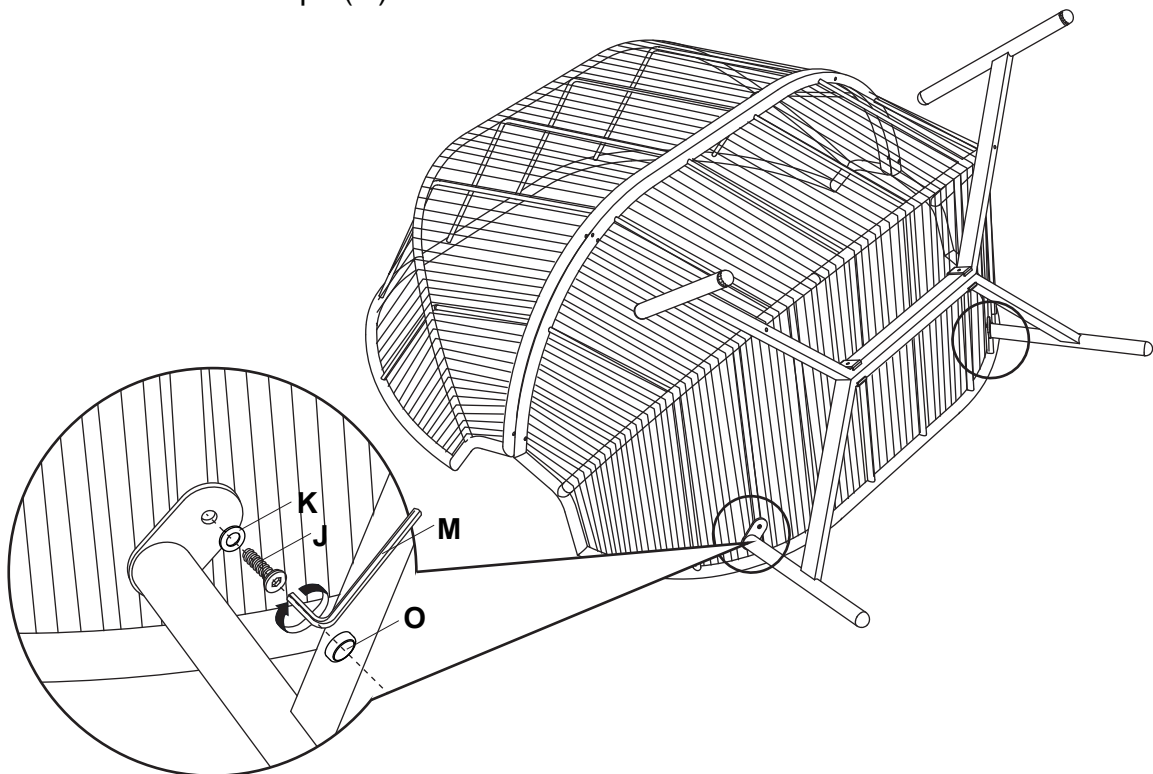
- 2 Use Allen Key (M) and spanner (N) to fix chair legs as picture with bolt and nut (I&L) and washers (K) and clips (G). Cover with caps (O&P).



- 3** Fix whole seat to leg with Allen key (M), bolt (I), and washer (K).  
Loosely tighten the bolts until all bolts are in position.



- 4** Repeat step 3 to fix front leg. Once all bolts are in position securely tighten all bolts.  
Then cover with all caps (O).

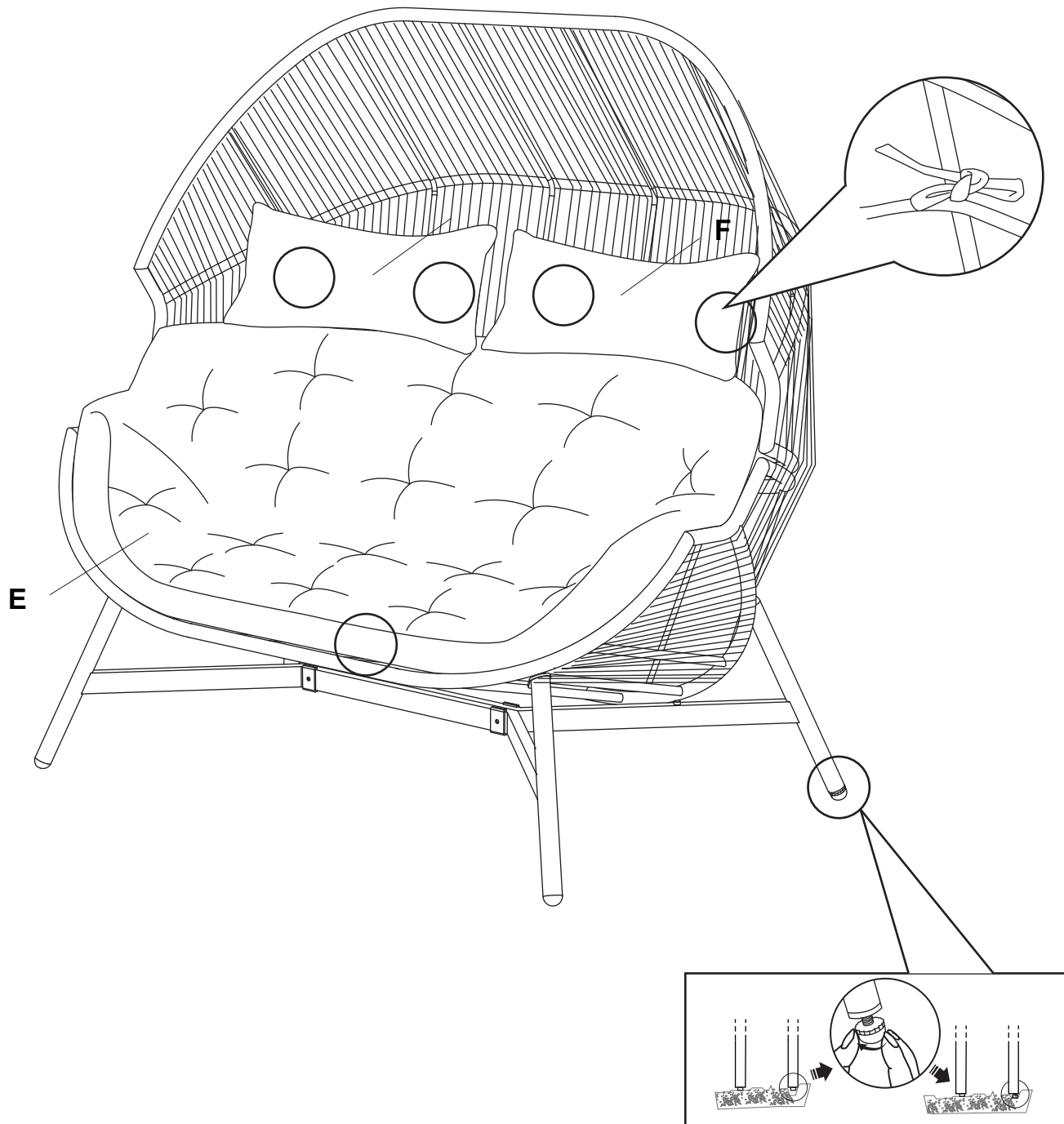


# HELSINKI DOUBLE EGG CHAIR

## ASSEMBLY INSTRUCTIONS



**5** Fasten seat cushion (E) and head pillows (F) on chair with the fabric ties. And your chair is ready to use.



For care and maintenance tips please visit: [synargy.com/product-care](https://www.synargy.com/product-care)